



# Delta Cooling Towers

*Leader in Non-Corrosive Cooling Tower Technology*

# options & accessories

## Standard Features

- HDPE Shell
- Corrosion-Proof Construction
- Non-Clog PVC Water Distribution System
- High Energy Efficiency
- Totally Enclosed Cooling Tower Motors
- PVC Fittings

## Options

- Thermostatic Fan On-Off Control
- Ladders with Landing Platforms
- Pumps
- Control Panels
- Indoor Storage Tanks
- Anti-Freeze Control Sump Packages



## EXPERIENCE

Since 1970 Delta has provided cooling towers that stand up to process conditions and the outdoor elements like no other cooling tower. Delta has coupled the maintenance-free seamless plastic construction with many other design features consistent with trouble-free longevity. The unitary plastic shell of the tower carries the industry best 15 Year Warranty.

**30 Years of Cooling Tower Manufacturing Experience**

## CUSTOMIZE YOUR COOLING TOWER

Do you have any special requirements for your cooling tower - fitting locations, bottom outlets, gravity drain, oversized fittings, pump suction, high temperatures, space restrictions? Delta has a "Can-Do" orientation and we would be glad to talk through your unique requirements and provide the best solution for your application.

**You decide how you want your Delta Tower**

## ONE-SOURCE RESPONSIBILITY

Delta has application engineers that can assist you in providing all the elements of a complete process cooling system. Some of these items are listed below.

- Plate & Frame Heat Exchangers
- Pre-Piped, Pre-Wired Pump Stations
- Strainers and other Filters
- Control Panels
- Water Storage Tanks
- Pumps
- Closed Loop Cooling Systems

**Let Delta supply your Complete System**



## Forced Draft Cooling Towers 10 to 400 ton cooling systems

### CORROSION-PROOF SHELL

HDPE Plastic  
Construction can not corrode and is backed by 15 Year Warranty.

### DRIFT ELIMINATOR

PVC drift eliminator prevents water droplets from leaving the tower.

### LIGHTWEIGHT AND HEAVY DUTY

Plastic is lighter than conventional cooling towers and average wall thickness is 5-10 times sheet metal towers.

### NOZZLE WATER DISTRIBUTION SYSTEM

Non-Clog large orifice removable nozzles evenly distribute the water.

### LEAK-PROOF SUMP

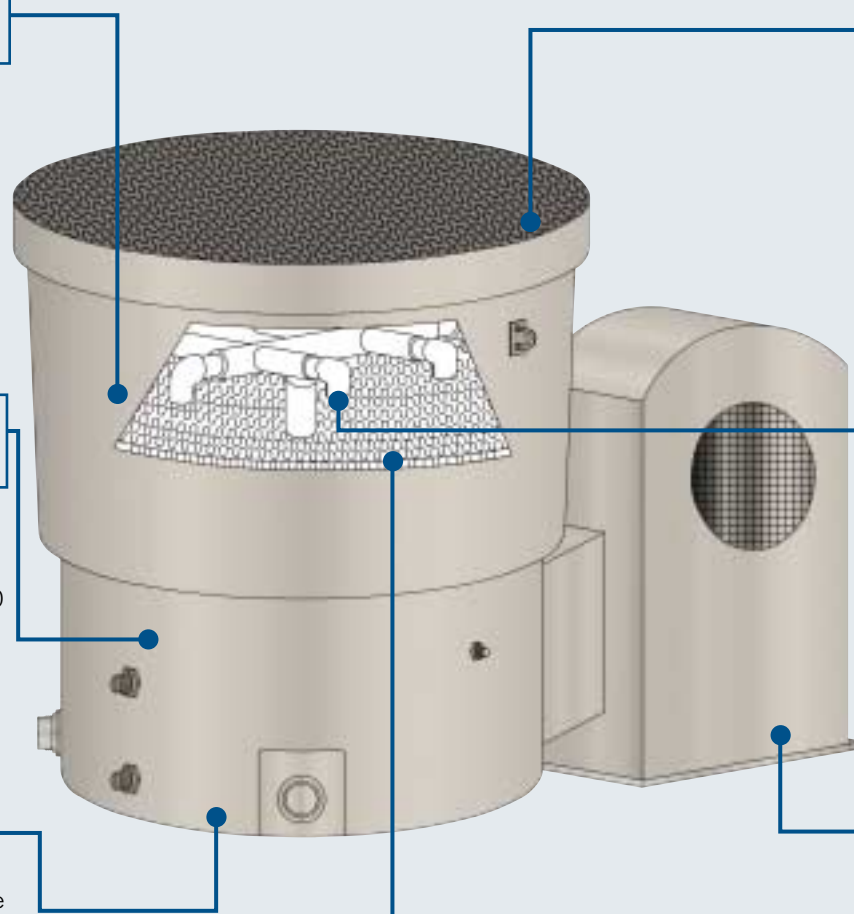
Molded as Unitary (One-Piece) Structure that has no joints to leak or require re-caulking and sealing.

### FILL MATERIAL

High efficiency spiral wound PVC for maximum cooling.

### AIR MOVING SYSTEM

Totally enclosed cooling tower motor powers centrifugal blower with optional HDPE weather hood.



Model Number	Approximate Weight Shipping	Approximate Weight Operating	Dimensions Dia. x Ht.	Capacity Tons	Fan Motor HP	Sump Capacity Gallons
Δt-10	350	705	38" x 78"	10	1	40
Δt-15	360	725	38" x 78"	15	1.5	40
Δt-20	385	750	38" x 78"	20	2	40
Δt-25	405	765	38" x 78"	25	3	40
Δt-30	710	1500	56" x 76"	30	5	75
Δt-40	730	1525	56" x 76"	40	5	75
Δt-50	910	2610	80" x 80"	50	5	157
Δt-75	970	2675	80" x 80"	75	7.5	157
Δt-100	1030	2730	80" x 80"	100	10	157

The information, recommendations and opinions set forth herein are offered solely for your consideration, inquiry and verification, and are not, in part or total, to be construed as constituting a warranty or representation for which we assume legal responsibility.

## Induced Draft Cooling Tower 100 to 1000 ton cooling systems

### CORROSION-PROOF SHELL

HDPE Plastic  
Construction can not corrode and is backed by 15 Year Warranty.

### DIRECT DRIVE AIR MOVING SYSTEM

Totally enclosed cooling tower motor powers fiber-reinforced polypropylene axial propeller fan.

### LIGHTWEIGHT AND HEAVY DUTY

Plastic is lighter than conventional cooling towers and average wall thickness is 5-10 times sheet metal towers.

### FILL MATERIAL

High efficiency spiral wound PVC cellular design for maximum cooling.

### LEAK-PROOF SUMP

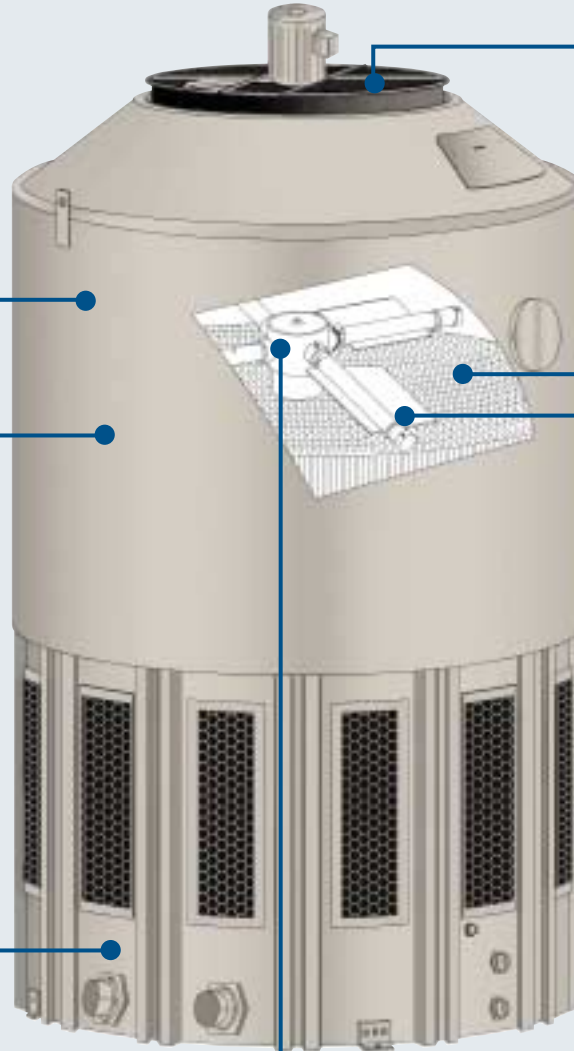
Molded as Unitary (One-Piece) Structure that has no joints to leak or require re-caulking and sealing.

### DRIFT ELIMINATOR

Polyethylene drift eliminators prevent water droplets from leaving the tower.

### WATER DISTRIBUTION SYSTEM

Self-propelled multiple PVC rotating arm system evenly distributes the water.



Model Number	Approximate Weight Shipping	Operating	Dimensions Dia. x Ht.	Capacity Tons	Fan Motor HP	Sump Capacity Gallons
ΔT-100I	1510	4235	84" x 146"	100	5	330
ΔT-125I	1585	4310	84" x 146"	125	7.5	330
ΔT-150I	1785	5570	95" x 178"	150	7.5	468
ΔT-175I	1925	5810	95" x 178"	175	10	468
ΔT-200I	3170	8440	114" x 210"	200	10	718
ΔT-250I	3365	8640	114" x 210"	250	15	718

The information, recommendations and opinions set forth herein are offered solely for your consideration, inquiry and verification, and are not, in part or total, to be construed as constituting a warranty or representation for which we assume legal responsibility.

# TM SERIES™

## Induced Draft Cooling Towers 250 to 20000 ton cooling systems

### DIRECT DRIVE AIR MOVING SYSTEM

Totally enclosed cooling tower motors power multiple fiber-reinforced polypropylene axial propeller fans within polyethylene velocity recovery stack.

### FILL MATERIAL

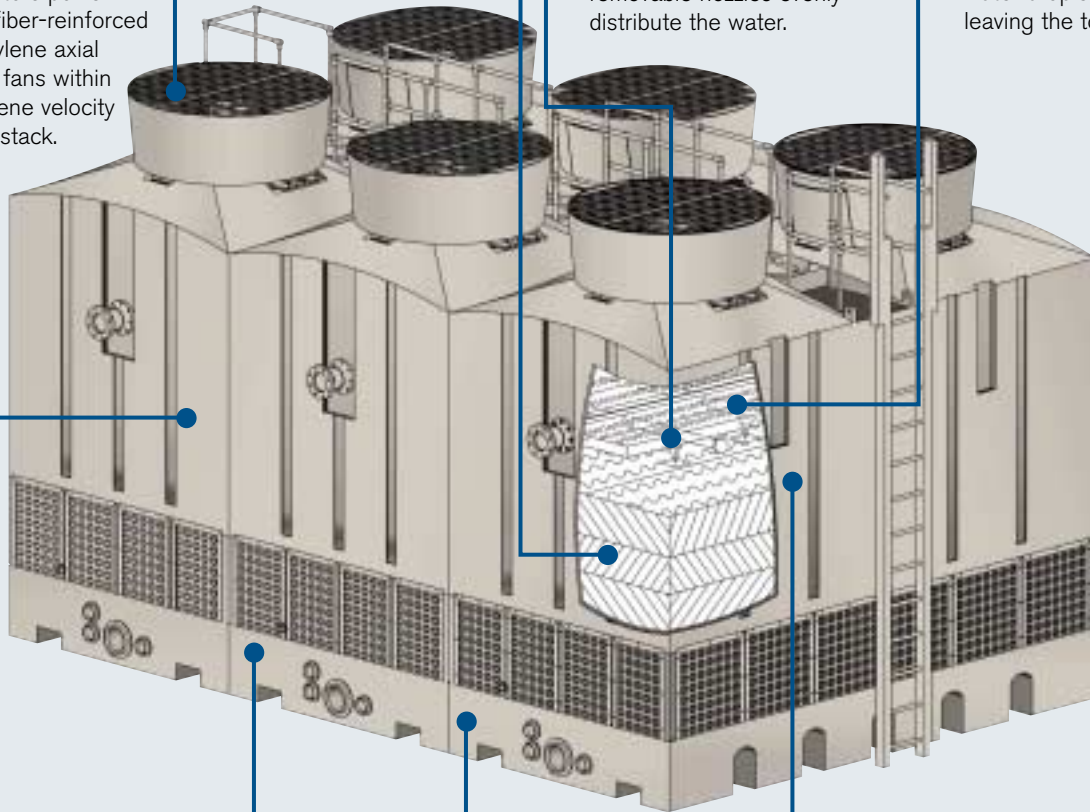
High efficiency PVC cellular design for maximum cooling.

### NOZZLE WATER DISTRIBUTION SYSTEM

Non-Clog large orifice removable nozzles evenly distribute the water.

### DRIFT ELIMINATOR

Three pass PVC drift eliminator prevents water droplets from leaving the tower.



### LIGHTWEIGHT AND DOUBLE-WALL

Plastic is lighter than conventional cooling towers and integrated double-wall is more than 10 times the average wall thickness of metal towers.

### LEAK-PROOF SUMP

Molded as Unitary (One-Piece) Structure that has no joints to leak or require re-caulking and sealing.

### SELF SUPPORTING PLASTIC BASE

Tower can be set on flat surface or on I-Beams placed in Integrally-Molded I-Beam Pockets for elevated installations.

### CORROSION-PROOF SHELL

HDPE Plastic Construction can not corrode and is backed by 15 Year Warranty.

### INDEPENDENT CELL CAPABILITY

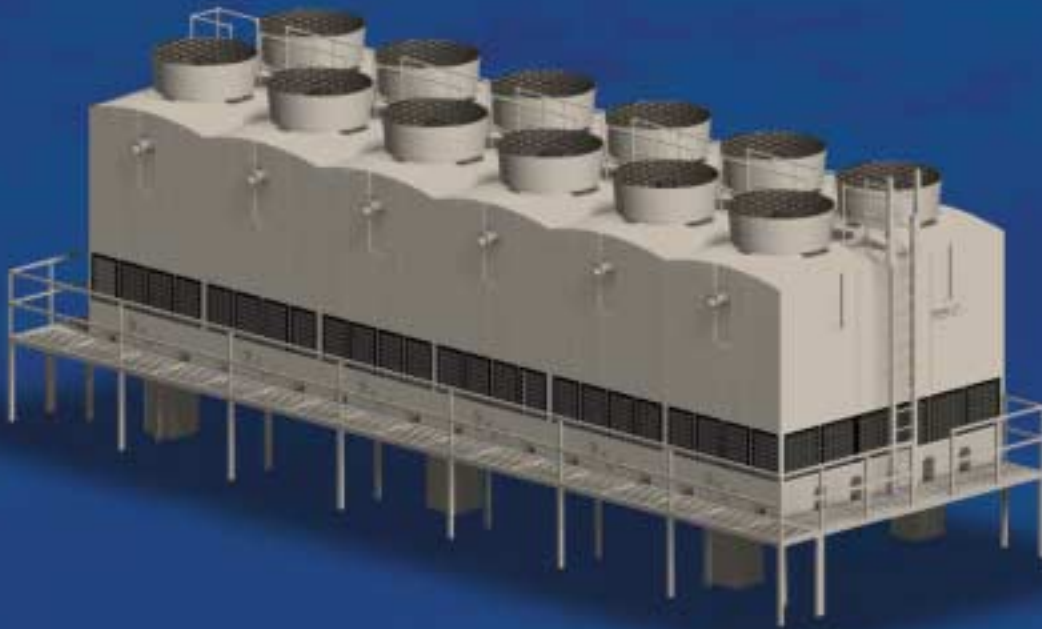
Independent Cells allow isolation of cells for operational flexibility.

Model Group	Approximate Weight Shipping	Operating	Dimensions L x W x Ht.	Capacity Tons	Fan Motor HP	Sump Capacity Gallons
1 Cell	5020	10670	16.5' x 8.5' x 15.5'	250-425	10-30	480
2 Cell	10040	21340	16.5' x 17.0' x 15.5'	460-820	20-60	960
3 Cell	15060	32010	16.5' x 25.5' x 16.5'	700-1200	30-90	1400
4 Cell	20080	42680	16.5' x 34.0' x 16.5'	910-1580	40-120	1920
5 Cell	25100	53350	16.5' x 42.5' x 16.5'	1120-1710	50-120	2400
6 Cell	30120	64020	16.5' x 51.0' x 16.5'	1340-2020	60-120	2880

The information, recommendations and opinions set forth herein are offered solely for your consideration, inquiry and verification, and are not, in part or total, to be construed as constituting a warranty or representation for which we assume legal responsibility.

**Delta Cooling Towers** has made substantial investments in manufacturing capabilities to provide the most trouble-free and longest lasting cooling towers available.

- Maintenance Free Unitarily Molded Leak-Proof Shell
- High Density Polyethylene Casing Carries 15-Year Warranty
- Perfect for Applications from the Routine to Extremely Corrosive
- Factory Assembled for Simple Installation
- Made In The USA - Consistent High Quality
- 30 Years of Leadership in Non-Corrosive Cooling Tower Manufacturing



## **Delta Cooling Towers**

***Leader in Non-Corrosive Cooling Tower Technology***

41 Pine Street, P.O. Box 315  
Rockaway, New Jersey 07866-0315

Tel: 973-586-2201 • Fax: 973-586-2243 • 800-BUY-DELTA  
E-mail: [sales@deltacooling.com](mailto:sales@deltacooling.com) • Website: [www.deltacooling.com](http://www.deltacooling.com)